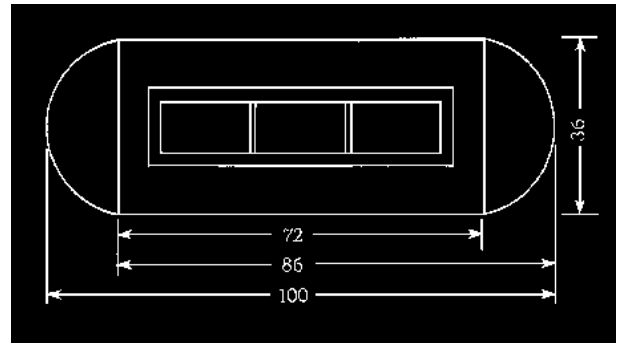


Air Diffusers

Circular air diffuser type LDR



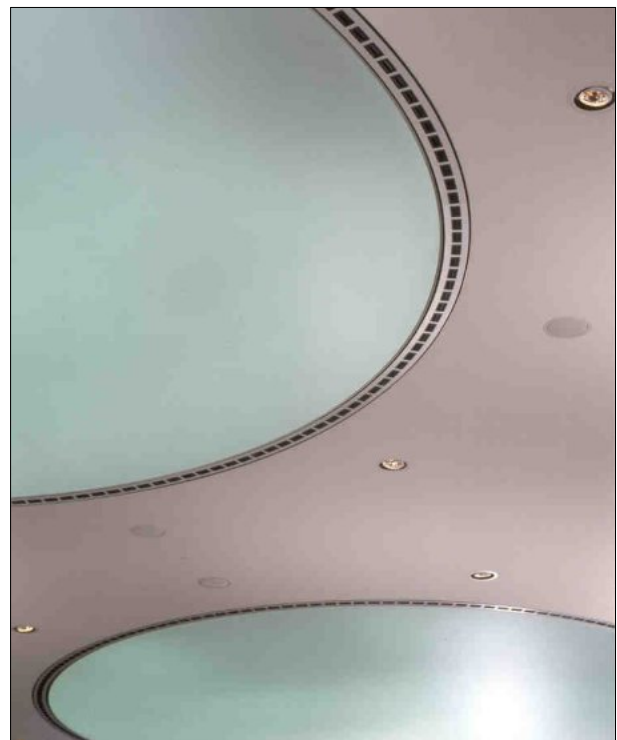
LDR element



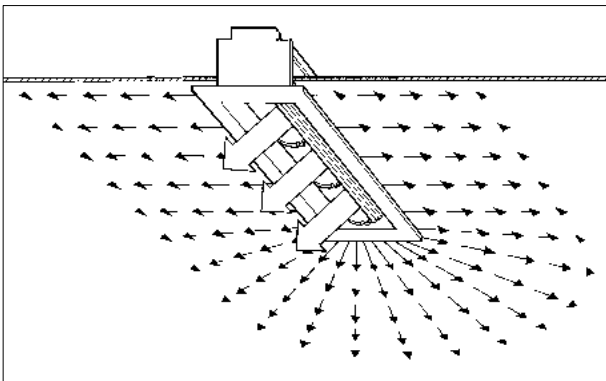
Dimensions

Features

- Virtually unlimited design variations:
 - linear, curved or rectangular arrangement
 - use as "design feature"
 - use as "discrete" design element
- Cylindrical linear nozzle
- Free selection of air diffusion direction
- Site resettable
- With integrated rectifying blades.
- Simple clip fixing into 1 mm thick rectangular cutouts
- Creation of an additional air curtain on the ceiling (LTG System clean®)
- 3 versions possible:
 - both ends straight
 - one end rounded
 - both ends rounded



LDR elements arranged in a circle



Additional air curtain on the ceiling



Installation example: Daimler AG Center of Excellence, Sindelfingen